



# Algas Equipment Supply

www.algasequipment.com

## Itron Schlumberger

REGULATORS, RELIEFS, AND METERS



## BelGAS

A DIVISION OF MARSH BELLOFRAM



## EMPIRE Heating Systems



## O.A.R.A.

VENTLESS REGULATORS



## ZODIAC



## elster

UNDERGROUND GAS PIPING



GAS TAPE  
PIPE DOPE  
WIPES  
BRUSHES



## Little Firefighter Gas Safety Products



EARTHQUAKE VALVES

## BURNABY MANUFACTURING LTD.



Phone: 1-877-580-5930  
Fax: 1-877-580-0848

E-mail: info@algasequipment.com  
www.algasequipment.com

Cambridge

Calgary

Montréal

Moncton

Winnipeg

Saskatoon

# TABLE OF CONTENTS

## Section 1.0: Regulators, Valves and Meters

Vented & Ventless Regulator Sizing	1.1
Belgas	1.2
Bryan Donkin	1.3
Firefighter	1.4
Itron and Schlumberger	1.5
Oara	1.6
Pietro Fiorentini	1.7

## Section 2.0: Heating Products

Empire	2.1
InstaHeat	2.2
Mantis	2.3
Zodiac	2.4

## Section 3.0: Other

Blue Monster	3.1
Burnaby BBQ Boxes	3.2
Elster/Perfection	3.3

## Section 4.0: Pricing

Algas Equipment Supply is the Canadian Master Distributor of premium product lines that it sells through a select group of Distributors. Dealer leads are forwarded to the nearest Algas Distributor for follow-up and sale.

Algas Equipment Supply strives for continuous improvement in products, services, and process in order to better serve the gas industry. We appreciate your input.

### Terms & Conditions:

- Must be an approved account
- Net 30 days, OAC
- F.O.B. our warehouse
- All applicable taxes extra
- Interest of 2% per month shall be applied to all overdue accounts
- All prices are subject to change without notice

### Return Goods Policy:

- All returns must be pre-authorized prior to shipment.
- An RGA# shall be assigned to each return.
- A copy of the original invoice shall accompany all returns
- Credits are subject to product inspection and approval.
- Re-stocking charges may apply
- Special order items can not be returned
- All returns shall be returned to our warehouse, shipping cost prepaid.
- All returns shall be processed immediately

### Warranty:

Algas Equipment Supply promotes the original manufacturers warranty on all purchases. All items are subject to the manufacturers warranty policy. We will take prompt action on defective merchandise returned to our warehouse, shipping cost prepaid. An RGA # is required for all warranty claims.



## Vented Spring Loaded Gas Regulators Sizing Chart

### B42R Sizing Capacities in SCFH @ 7" WC Set Point

Inlet Pressure PSIG	1/4" Orifice	3/8" Orifice	1/2 x 9/16" Orifice
2	250	425	700
5	500	825	1230
10	850	1300	1720
20	1450	2000	

\* Body sizes available from 1/2" to 1-1/4"

\*\* High-Pressure Springs available up to 5 PSIG

Spring Selection	Adjust Range
Green	4-9" wc
Dark-Grn	6-16" wc
Silver	12-28" wc
Yel/Blk	1-2 PSIG



### B34SR Sizing Capacities in SCFH @ 7" WC Set Point. (Best for On/Off applications)

Inlet Pressure PSIG	3/8 x 1/2" Orifice	1/2 x 5/8" Orifice	5/8 x 3/4" Orifice	7/8 x 1" Orifice
2	1080	1520	1830	2300
5	1960	3000	3820	5150
10	3280	5250	6600	7500
20	4625	7225		

\* Body sizes available from 1-1/4" to 2"

\*\* High-Pressure Springs available up to 2.5 PSIG

Spring Selection	Adjust Range
Gray	4-9" wc
Blue	8-12" wc
Silver	11-17" wc

### B34R Sizing Capacities in SCFH @ 7" WC Set Point. (Best for Modulating application)

Inlet Pressure PSIG	3/8 x 1/2" Orifice	1/2 x 5/8" Orifice	5/8 x 3/4" Orifice	7/8 x 1" Orifice
2	1500	2000	3300	4700
5	2400	4000	5700	8000
10	3500	5700	9000	10000
20	5000	8500	10000	10000

\* Body sizes available from 1-1/4" to 2"

\*\* High-Pressure Springs available up to 7.3 PSIG

Spring Selection	Adjust Range
Black	6.5-13" wc
Purple	9-20" wc
Blue	15-28" wc
Silver	1-2 PSI

\*Indicating most popular stocked

## Ventless Regulators Sizing Chart

### Oara

Inlet Pressure Max PSIG	1/2" Model Part # 90	3/4" Model Part # 95
2 PSIG ventless	140 SCFH	300 SCFH



### Pietro Fiorentini

Inlet Pressure Max PSIG	1/2" Model Part # F30051	3/4" Model Part # F30052	1" Model Part # F30053
2 PSIG ventless	635 SCFH	848 SCFH	1059 SCFH





### First Stage High Capacity, High Flow, Pounds to Pounds



Item #	Description
P627-(3/4 or 1")	No Internal relief, 5-150psi
P627-2"	No Internal relief, 5-150psi
R627-(3/4 or 1")	Complete w/ Internal relief, 5-150psi
R627-2"	Complete w/Internal relief, 5-150psi
P630LP-(3/4 or 1")	No Internal relief, 3-40psi
P630LP-2"	No Internal relief, 3-40psi

\*Please call for full sizing specifications, specific part # created according to spec.

### Relief Valves



Item #	Description
P289-1	1" Body, Spring ranges, 1 to 50 psi
P289-2	2" Body, Spring ranges, 7"wc to 10psi

\*Please call for full sizing specifications, specific part # created according to spec.



**Bryan Donkin RMG**  
**Canada Limited**

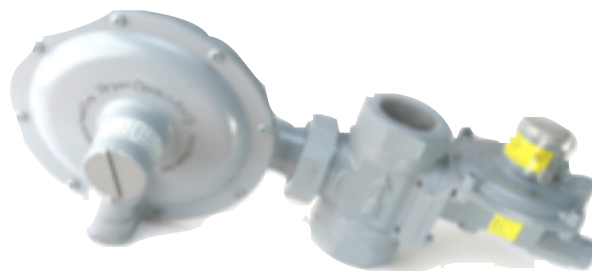
**Honeywell**

## Ventless "Slam-Shut" Type Regulators

10 PSI Maximum Inlet Pressure

Item #	Description
260S-290-OPCO	Body Sizes: 1/2" to 1" Avail. Adjust. 4" wc to 5.5psi
240S-290-OPCO	Body Sizes: 3/4" to 1-1/2" Avail. Adjust. 4" wc to 3 psi
274S-290-OPCO	Body Sizes: 1-1/4" to 2" Avail. Adjust. 6" wc to 6 psi

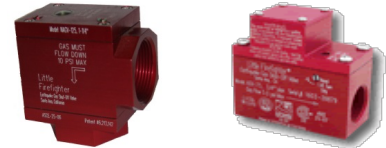
Comes complete with safety diaphragms and Over-Pressure Cut Off safety slam-shut valve.





## Earthquake Valves

- \*Automatically shuts off gas when triggered by a 5.4 magnitude seismic event
- \*Manual Reset available on both sides
- \*Complies with all state, city, and laboratory testing requirements.
- \*Most Compact State-of-the-art design.
- \*Best flows on the market \*Economically priced



### Horizontal Valve

Model #	Pipe Size	Max. Pressure	Length	Width	Height	BTU/HR X 1000 @ 1.0" W.C. Pressure Drop
AGV-75	¾" NPT	5 psi	3"	1-1/2"	3"	977
AGV-100	1" NPT	5 psi	4"	1-3/4"	3-1/2"	1628
AGV-125	1-1/4" NPT	5 psi	4"	2-1/3"	4-2/3"	2677
AGV-150	1-1/2" NPT	5 psi	6"	3"	5-1/2"	5769
AGV-150-HP	1-1/2" NPT	60 psi	6"	3"	3"	5769
AGV-200	2" NPT	5 psi	6"	3"	5-1/2"	5769
AGV-200-HP	2" NPT	60 psi	6"	3"	5-1/2"	5769



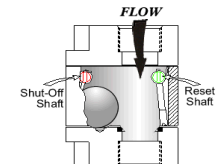
### Vertical Valve

Model #	Pipe Size	Max. Pressure	Length	Width	Height	BTU/HR X 1000 @ 1.0" W.C. Pressure Drop
VAGV-75	¾" NPT	10 psi	2-1/2"	2"	3-3/8"	895
VAGV-100	1" NPT	10 psi	2-1/2"	2"	3-3/8"	765
VAGV-125	1-1/4" NPT	10 psi	2.5"	2"	3.4"	650
VAGV-125-HF	1-1/4" NPT	2 psi	4.2"	3.3"	5.2"	3.7
VAGV-150	1-1/2" NPT	2 psi	4.2"	3.3"	5.2"	3.7
VAGV-150HP	1-1/2" NPT	60 psi	4.2"	3.3"	5.2"	3.7
VAGV-200	2" NPT	2 psi	4.2"	5.2"	5.2"	2.5
VAGV-200-HP	2" NPT	50 psi	4.2"	3.3"	5.2"	2.5



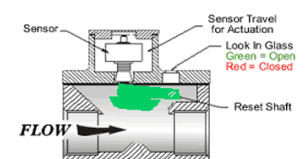
### 90 Degree Valves

Model #	Pipe Size	Max. Pressure	Length	Width	Height	BTU/HR X 1000 @ 1.0" W.C. Pressure Drop
NAGV-075	¾" NPT	5psi	3.2"	2"	3"	760
NAGV-100	1" NPT	5psi	3.2"	2"	3.1"	947
NAGV-125	1-1/4" NPT	5psi	3.3"	2"	3.1"	947



### Stabilizer Brackets

Model #	Pipe Size	Max. Pressure	Length	Width	Height	BTU/HR X 1000 @ 1.0" W.C. Pressure Drop
GV-12 (for ¾" to 1-1/4")						
GV-20 (for 1-1/2" to 2")						





**Spring Loaded Regulators**

Model	Connection Size (NPT)	General Spring Range	Weight lbs per box
B42R*	1/2" to 1"	4"wc to 2psi	50 lbs/12
B42R	1-1/4"	4"wc to 2psi	54 lbs/12
B42RHP	1/2" to 1"	2 to 5 psi	50 lbs/12
B42RHP	1-1/4"	2 to 5 psi	54 lbs/12
B57R	3/4"-1-1/4"	4.5 to 16"wc	52 lbs/8
B57RHP	3/4"-1-1/4"	0.75 to 2.5 psi	52 lbs/8
B58R	3/4"-1-1/4"	4.5 to 16"wc	52 lbs/8
B58RHP	3/4"-1-1/4"	0.75 to 2.5 psi	52 lbs/8
B31R	3/4" & 1"	4 to 16"wc	53 lbs/8
B31R	1-1/4"	4 to 16"wc	55 lbs/8
B31RHP	3/4" & 1"	0.5 to 2.5 psi	53 lbs/8
B31RHP	1-1/4"	0.5 to 2.5 psi	55 lbs/8
B34SR	1-1/4" to 2"	4"wc	60 lbs/4
B34SRHP	1-1/4" to 2"	0.5 to 2.5 psi	60 lbs/4
B34R	1-1/4" to 2"	3"wc to 7.3 psi	24 lbs/1
B38R	1-1/2" to 2"	3"wc to 7.8 psi	31 lbs/1

\*Call for quantity pricing



**Pilot Operated Regulators**

Model	Connection Size (NPT)	General Spring Range	Weight lbs per box
CL31N	3/4" to 1-1/4"	1 to 20 psi	38 lbs/4
CL231N	1-1/2" to 2"	1 to 20 psi	53 lbs/4
CL34-2	1-1/4" to 2"	0.75 to 60 psi	34 lbs/1
CL38-1	1- 1/2" to 3"	0.75 to 60 psi	33 lbs/1
CL38-2	1-1/2" to 2"	0.75 to 70 psi	41 lbs/1



**Field Service Regulators**

Model	Connection Size (NPT)	General Spring Range	Weight lbs per box
B36R	3/4" to 1-1/4"	0.75 to 60 psi	86 lbs/12
B35R	3/4" to 1"	5 to 150 psi	80 lbs/6



**Direct Acting Regulators**

Model	Connection Size (NPT)	General Spring Range	Weight lbs per box
RB1700D	1-1/2" npt	6.8"wc to 36 psi	35 lbs/1
RB4020D	2" Flanged	4.1"wc to 30 psi	87 lbs/1
RB4030D	3" Flanged	4.1"wc to 30 psi	149 lbs/1





## Diaphragm Meters

Model	Connection Size (MNPT)	Max Operating Pressure	Weight lbs Per Box
M250TC	3/4" to 1"	5 psi	8 lbs/1
MH250TCHP	3/4" to 1"	10 psi	8 lbs/1
400ATC	1-1/2"	10 psi	13 lbs/1
400ATCHP	1-1/2"	25 psi	13 lbs/1
675ATC	1-1/2"	25 psi	43 lbs/1
800ATC	1-1/2"	25 psi	43 lbs/1
1000ATC	1-1/2"	25 psi	43 lbs/1



For Diaphragm Meter Pulse Output, please call.

## Dattus Meters

Model	Connection Size (MNPT)	Max Operating Pressure	Weight lbs Per Box
FM1-8C/CTR	2"	175 psi	38 lbs/1
FM1-1M/CTR	2"	175 psi	38 lbs/1
FM1-1.5M/CTR	2"	175 psi	38 lbs/1
FM1-2M/CTR	2"	175 psi	38 lbs/1
FM1-3M/CTR	2"	175 psi	38 lbs/1
FM2-2M/CTR	2" or 3"	175 psi	42 lbs/1
FM2-3M/CTR	2" or 3"	175 psi	42 lbs/1
FM2-5M/CTR	2" or 3"	175 psi	42 lbs/1
FM2-7M/CTR	2" or 3"	175 psi	42 lbs/1
FM2-11M/CTR	2" or 3"	175 psi	42 lbs/1
FM3-7M/CTR	4"	175 psi	128 lbs/1
FM3-11M/CTR	4"	175 psi	128 lbs/1
FM3-16M/CTR	4"	175 psi	128 lbs/1
FM3-23M/CTR	4"	175 psi	128 lbs/1
FM3-38M/CTR	4"	175 psi	128 lbs/1
FM3-56M/CTR	4"	175 psi	128 lbs/1



## Dattus Meter Pulse Output

Model	Description
442461-005	10 foot cable c/w leads
446461-006	20 foot cable c/w leads

## Programming

Model	Description
442001-003	Dattus PC-Link Software
600204-001	RS-232 Communication Cable







## Ventless Regulators

O.A.R.A. is part of the Cavagna Group of companies that began operations in 1931 and continues to grow today in Northern Italy. Since its origin, the Group has become a world leader in the forging and machining of brass and stainless steel. It has supplied safe products of superior quality and value. Technological advancement and sophisticated working procedures have allowed the company to rapidly create new products and solutions for the gas control industry

- Precise regulating control from max flow down to pilot flows
- Housings are rugged aluminum die castings
- Regulators are supplied with a vent limiter type "O".
- Materials of all component parts are corrosion resistant
- Manufactured in order to meet utility specifications in residential, commercial and industrial applications
- Approved to CSA 6.3 & ANSI Z21.18 appliance regulators
- Approved to CSA 6.22 & ANSI Z21.80 line pressure regulators

Part #	Size	Outlet Range	CFH @ 1/2" psi	CFH @ 2 psi
44-1-190-0006	1/2" Inlet/Outlet	7-11" w.c.	155 scfh	280 scfh



### Type 90 Regulator

Note: vent limiter must be removed for applications above 140 SCFH

Part #	Size	Outlet Range	CFH @ 1/2" psi	CFH @ 2 psi
44-1-290-0002	3/4" Inlet/Outlet	7-11" w.c.	364 scfh	517 scfh



### Type 95 Regulator

Note: vent limiter must be removed for applications above 300 SCFH

## Comparison Chart for Oara Regulators

Model	Size	Algas#	Maxitol#	Others#	Notes
Type 90	1/2"	44-1-190-0006	325-3L	R9060G339-AN	c/w vent limiter
Type 95	3/4"	44-1-290-0002	325-5AL	R9510G38-HNA	c/w vent limiter





## Governor Ventless Gas Regulators

**Outlet Pressure up to 2 PSI, No Vent required.**

**Outlet Pressure Over 2 PSI, must be vented to atmosphere**



Item #	Description
F30051	1/2" NPT, 635 SCFH
F30052	3/4" NPT, 848 SCFH
F30053	1" NPT, 1,059 SCFH

### High Capacity

Item #	Description
F30150	1/2" NPT, 1,695 SCFH
F30151	3/4" NPT, 2,084 SCFH
F30152	1" NPT, 2,437 SCFH
F30153	1-1/4" NPT, 5,297 SCFH
F30154	1-1/2" NPT, 5,650 SCFH
F30155	2" NPT, 10,947 SCFH
F30157F	3" FLANGED 16,810 SCFH
F30158F	4" FLANGED, 29, 452 SCFH

### 5 PSI Inlet Pressure, Ventless Monitor Regulator (w/ OPD)



Item #	Description
F30051DC	1/2" NPT, 1,695 SCFH
F30052DC	3/4" NPT, 2,084 SCFH
F30053DC	1" NPT, 2,084 SCFH

### High Capacity

Item #	Description
F30150DC	1/2" NPT, 1,695 SCFH
F30151DC	3/4" NPT, 2,084 SCFH
F30152DC	1" NPT, 2,084 SCFH
F30153DC	1-1/4" NPT, 5,297 SCFH
F30154DC	1-1/2" NPT, 5,650 SCFH
F30155DC	2" NPT, 10,947 SCFH

Please note that all above regulators come with a 6" to 14" wc adjustment range.  
\*Please note that all SCFH listed are Maximums permitted by CSA for non vented applications.





## Direct Wall Vent Furnaces

### Millivolt

Model Number	BTU Input	Temperature Control	Ignition System
DV-210-SG-NG or LP	10,000	Wall Thermostat, Millivolt.	Pilot/Piezo
DV-215-SG-NG or LP	15,000	Wall Thermostat, Millivolt.	Pilot/Piezo



### Accessories

Model Number	Description
DVB-1	Automatic Blower
TRW	Wireless remote wall thermostat
VSK-1	Slim-Line Vinyl Siding Kit - Includes wall plate & shield
DV-822	Regular Vinyl Siding Vent Kit
TH-345	Flue vent extension, fits walls from 13 to 19 inches
TH-346	Air inlet extension, fits walls from 13 to 19 inches

\*Units include a wired millivolt wall thermostat & standard vent kit.

Model Number	BTU Input	Temperature Control	Ignition System
DV-25-SG-NG or LP	25,000	Wall Thermostat, Millivolt.	Pilot/Piezo
DV-35-SG-NG or LP	35,000	Wall Thermostat, Millivolt.	Pilot/Piezo



### Accessories

Model Number	Description
DRB-1	Automatic Blower
TRW	Wireless remote wall thermostat
VSK-2	Slim-Line Vinyl Siding Kit - Includes wall plate & shield
DV-822	Regular Vinyl Siding Vent Kit
DV-844	Flue vent extension, fits walls from 13 to 19 inches
DV-845	Air inlet extension, fits walls from 13 to 19 inches

\* Units include a wired millivolt wall thermostat & standard vent kit.





## Direct-Vent Wall Furnaces

### High-Efficient (80+%) Direct-Vent

Model Number	BTU Input	Temperature Control	Ignition System
DV-20E-(NG or LP)	20,000	Thermistor, Electronic	Hot Surface
DV-40E-(NG or LP)	40,000	Thermistor, Electronic	Hot Surface
DV-55E-(NG or LP)	55,000	Thermistor, Electronic	Hot Surface

### Accessories

Model Number	Description
DVT-2	Extended Vent Terminal for wall up to 32", all models.
DVE-1	Intake/Exhaust extension kit (54" with 2 elbows) DV20 & 40
DVE-2	Intake/Exhaust extra extension kit (54" ) DV20 & 40
TRW	Wireless remote wall thermostat
DVP-1	Floor Pad



\* Units include a 24V integrated thermostat & standard vent kit for up to 10" wall thickness.

## Gravity Vented Wall Furnaces

Model Number	BTU Input	Temperature Control	Ignition System
GWT-25-(NG or LP)	25,000	Millivolt. T-stat not included	Standing pilot
GWT-35-(NG or LP)	35,000	Millivolt. T-stat not included	Standing pilot
GWT-50-(NG or LP)	50,000	Millivolt. T-stat not included	Standing pilot

### Accessories

Model Number	Description
GWRB-T	Remote Bulb Thermostat, Millivolt, fits all models.
GWTB-2*	Automatic Blower, fits all models.
GWTH-25/35	Header (included with furnace), fits GWT-25 & 35.
GWTH-50	Header (included with furnace), fits GWT-50.
GWTR-1	Rear Register Kit, fits GWT-25 & 35
GWTW-1	Out of Wall Installation Kit, fits GWT-25 & 35
TMV	Wall Thermostat, Millivolt - Reed Switch
TRW	Wireless Remote Wall Thermostat.



\*GWT-50 model may use 2 blowers if desired. (one for each side.)





## Direct-Vent Counterflow Wall Furnaces

\*Please specify if NG or LP

Model Number	BTU Input	Temperature Control	Ignition System
DVC-35-SPP	35,000	Wall Thermostat, 24V	Standing pilot
DVC-35-IP	35,000	Wall Thermostat, 24V	Electronic pilot
DV-55-SPP	55,000	Wall Thermostat, 24V	Standing pilot
DV-55-IP	55,000	Wall Thermostat, 24V	Electronic pilot

### Accessories

Model Number	Description
SOR-1	Side Outlet Register
SOK-1	10" Side Outlet Register Kit
VSK-2	Slim-Line Vinyl Siding Kit, includes wall plate & vent shield
DV-822	Regular Vinyl Siding Vent Kit
TRW	Wireless Remote Wall Thermostat
DV-844	Flue vent extension, fits walls from 13 to 19 inches
DV-845	Air inlet extension, fits walls from 13 to 19 inches

\* Units include a wired 24V wall thermostat & standard vent kit.

## Gravity Vented Counterflow Wall Furnaces

\*Please specify if NG or LP

Model Number	BTU Input	Temperature Control	Ignition System
FAW-40-SPP	40,000	Wall Thermostat, 24V	Standing pilot
FAW-40-IP	40,000	Wall Thermostat, 24V	Electronic pilot
FAW-55-SPP	55,000	Wall Thermostat, 24V	Standing pilot
FAW-55-IP	55,000	Wall Thermostat, 24V	Electronic pilot

### Accessories

Model Number	Description
SOR-1	Side Outlet Register
SOK-1	10" Side Outlet Register Kit
ROK-1	10" Rear Outlet Register Kit
FVE-24	Vent Top Enclosure, 24" for FAW-40
FVE-34	Vent Top Enclosure, 34" for FAW-40
FVE-46	Vent Top Enclosure, 46" for FAW-40
DV-651	Vent Top Enclosure, 14" for FAW-55
DV-665	Vent Top Enclosure, 24" for FAW-55
DV-666	Vent Top Enclosure, 36" for FAW-55
4GWAOR	B-vent Oval-to-Round Flue Adaptor.
TRW	Wireless Remote Wall Thermostat.

\*An Oval to Round Adapt # 4GWAOR is required for all FAW units.





## Gravity Vented Room Heaters

Model Number	BTU Input	Temperature Control	Ignition System
RH-25-NG or LP	25,000	Hydraulic Thermostat	Standing pilot
RH-35-NG or LP	30,000	Hydraulic Thermostat	Standing pilot

### Accessories

Model Number	Description
DRB-1	Automatic Blower
DVP-1	Floor Pad 36" x 14"



## Visual Flame & Closed Front Room Heaters

### Visual Flame with Blowers Installed

Model Number	BTU Input	Temperature Control	Ignition System
RH-50B-NG or LP	50,000	Hydraulic Thermostat	Standing pilot
RH-65B-NG or LP	65,000	Hydraulic Thermostat	Standing pilot



### Closed Front

Model Number	BTU Input	Temperature Control	Ignition System
RH-50C-NG or LP	50,000	Hydraulic Thermostat	Standing pilot
RH-65C-NG or LP	65,000	Hydraulic Thermostat	Standing pilot

### Closed Front with Blowers Installed

Model Number	BTU Input	Temperature Control	Ignition System
RH-50CB-NG or LP	50,000	Hydraulic Thermostat	Standing pilot
RH-65CB-NG or LP	65,000	Hydraulic Thermostat	Standing pilot



### Accessories

Model Number	Description
FRB-3	Automatic Blower, Optional on RH-50C & RH-65C
RAD-8	Radiant refractory brick set with supports, RH-50B & RH-65B
RHL-2	Log kit set, RH-50B & RH-65B
RH-425	Floor Pad 36" x 21"

\* Units include an integrated hydraulic thermostat.





### Tankless Water Heaters – Non-Condensing



Model Number	Description
IHI56N	Water Heater, 150,000 Indoor, Tank-less, NG
IHI56P	Water Heater, 150,000 Indoor, Tank-less, LP
IHI75N	Water Heater, 180,000 Indoor, Tank-less, NG
IHI75P	Water Heater, 180,000 Indoor, Tank-less, LP
IHI97N	Water Heater, 194,000 Indoor, Tank-less, NG
IHI97P	Water Heater, 194,000 Indoor, Tank-less, LP

### Tankless Water Heaters – Condensing

Model Number	Description
IHIC56N	Water Heater, 150,000 Condensing Indoor, Tankless, NG
IHIC56P	Water Heater, 150,000 Condensing Indoor, Tankless, LP
IHIC75N	Water Heater, 180,000 Condensing Indoor, Tankless, NG
IHIC75P	Water Heater, 180,000 Condensing Indoor, Tankless, LP
IHIC97N	Water Heater, 194,000 Condensing Indoor, Tankless, NG
IHIC97P	Water Heater, 194,000 Condensing Indoor, Tankless, LP
GMCWK	Cascade Wire Kit
GECWK	Cascade Extension for Wire Kit

### Venting and Accessories

Model Number	Description
I5SSDVF612	5" Flashing, 6/12 - 12/12
I5SSDVHTK	Termination Kit, Horizontal, SS
I5SSDVP413H	5" Adjustable Vent Pipe, Horizontal, SS
I5SSDVP413V	5" Adjustable Vent Pipe, Vertical, SS
I5SSDVP12	Direct Vent Pipe, 5" X 12", SS
I5SSDVP18	Direct Vent Pipe, 5" X 18", SS
I5SSDVP24	Direct Vent Pipe, 5" X 24", SS
I5SSDVP36	Direct Vent Pipe, 5" X 36", SS
I5SSDVP6	Direct Vent Pipe, 5" X 6", SS
I5SSDVRS	5" Roof/Horizontal Support
I5SSDVSC	5" Storm Collar
I5SSDVSKT	5" Termination Kit, Snorkel, 36" High, SS
I5SSDVVTK	5" Termination Kit, Vertical, SS
I5SSDVCT	5" Condensation Vent
I5SSDVE90	5" Direct Vent 90° Elbow
I5SSDVE45	5" Direct Vent 45° Elbow
I5SSDVFS	5" Fire Stop
I5SSDVF06	5" Flashing





### Indoor Tankless Water Heater Product Specifications

CONDENSING MODEL NUMBERS: IHIC56(N,P), IHIC75(N,P), IHIC97(N,P)

NON-CONDENSING MODEL NUMBERS: IHI56(N,P), IHI75(N,P), IHI97(N,P)

Unique Specifications	IHIC56 (N,P)	IHIC75 (N,P)	IHIC97 (N,P)	IHI56 (N,P)	IHI75(N,P)	IHI97(N,P)
<b>Maximum/Minimum Gas Rate (Input BTU's)</b>	150,000/12,500	180,000/12,500	194,000/12,500	150,000/24,000	180,000/24,000	194,000/24,000
<b>Energy Factor (NG and LP)</b>	91%	91%	91%	82%	82%	83%
<b>Venting Spec (See Manual for all Venting Restrictions &amp; Venting Adapter)</b>	<ul style="list-style-type: none"> <li>• ULC 636 Approved Venting USA &amp; Canada</li> <li>• DE SS Approved 3 x 5 Concentric Venting USA &amp; Canada</li> </ul>	<ul style="list-style-type: none"> <li>• ULC 636 Approved Venting USA &amp; Canada</li> <li>• DE SS Approved 3 x 5 Concentric Venting USA &amp; Canada</li> </ul>	<ul style="list-style-type: none"> <li>• ULC 636 Approved Venting USA &amp; Canada</li> <li>• DE SS Approved 3 x 5 Concentric Venting USA &amp; Canada</li> </ul>	DE SS Approved 3 x 5 Concentric Venting USA & Canada	DE SS Approved 3 x 5 Concentric Venting USA & Canada	DE SS Approved 3 x 5 Concentric Venting USA & Canada
<b>Thermal Efficiency</b>	94%	94%	94%	84%	84%	84%

Standard Specifications	IHIC56(N,P), IHI56(N,P)	IHIC75(N,P), IHI75(N,P)	IHIC97(N,P), IHI97(N,P)
<b>Type</b>	Indoor	Indoor	Indoor
<b>Dimensions</b>	30.0"(H) X 18.1(W) X 11.4"(D)	30.0"(H) X 18.1(W) X 11.4"(D)	30.0"(H) X 18.1(W) X 11.4"(D)
<b>Packaging Dimensions</b>	33.5"(H) X 22.4"(W) X14.2"(D)	33.5"(H) X 22.4"(W) X14.2"(D)	33.5"(H) X 22.4"(W) X14.2"(D)
<b>Weight</b>	70 lbs	70 lbs	70 lbs
<b>Number of Burners</b>	17	17	17
<b>Hot Water Capacity Range</b>	0.6 to 5.6 GPM	0.6 to 5.6 GPM	0.6 to 5.6 GPM
<b>Temperature Range (Min - Max)</b>			
<b>Residential</b>	98° F - 140° F	98° F - 140° F	98° F - 140° F
<b>Commercial*</b>	98° F - 160° F	98° F - 180° F	98° F - 180° F
<b>Commercial unit requires commercial controller</b>			
<b>Certifications</b>	<b>CSA Certified to ANSI Z21.10.3 *CSA 4.3</b>		
<b>System</b>	Forced Direct Vent	Forced Direct Vent	Forced Direct Vent
<b>Installation</b>	Indoor	Indoor	Indoor
<b>Ignition</b>	Direct Elec. Ignition	Direct Elec. Ignition	Direct Elec. Ignition
<b>Electrical</b>	120AC/60Hz	120AC/60Hz	120AC/60Hz
<b>Electrical Consumption (watts)</b>			
<b>Normal Operation</b>	65	65	65
<b>Standby</b>	2	2	2
<b>Anti-frost protection</b>	100	100	100
<b>Service Connections</b>			
<b>Bottom Only Gas Supply</b>	3/4 MNPT	3/4 MNPT	3/4 MNPT
<b>Bottom or Side Cold Water Inlet</b>	3/4 MNPT	3/4 MNPT	3/4 MNPT
<b>Bottom or Side Hot Water Outlet</b>	3/4 MNPT	3/4 MNPT	3/4 MNPT







**Indoor Tankless Water Heater Product Specifications**

CONDENSING MODEL NUMBERS: IHIC56(N,P), IHIC75(N,P), IHIC97(N,P)

NON-CONDENSING MODEL NUMBERS: IHI56(N/P), IHI75(N/P), IHI97(N/P)

Installation Clearances	Combustibles Installation Clearances		Non Combustibles Installation Clearances
	IHIC56, IHI56	IHIC75, IHIC97, IHI75, IHI97	ALL Models
Top of heater	6"	6"	2"
Front of heater	*6"	24"	24"
Sides of heater	2"	6"	2"
Back of heater	0"	0"	0"
Bottom of heater	12"	12"	12"
From vent pipe	0"	0"	0"

\*Note for serviceability 24" is recommended for opening door

**Maximum horizontal venting:**  
(attached to unit with one 90° elbow) 40 feet

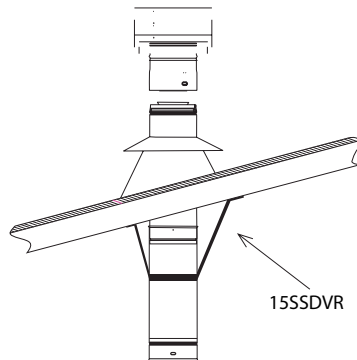
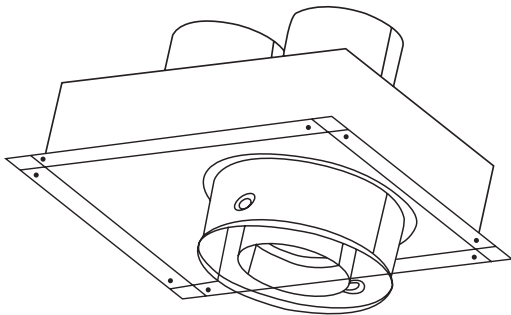
**Maximum vertical/horizontal venting:**  
(with one 90° elbow) 40 feet with 7 foot rise

**ISSSDVHTK INSTAHEAT™ 5" Stainless Steel Horizontal Termination Kit**

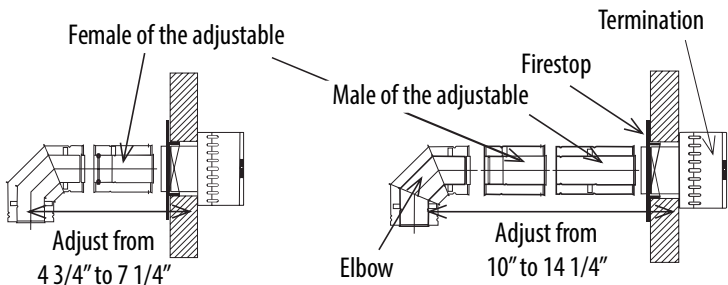
- Termination • Firestop • 90° elbow • Adjustable vent length PLEASE CALL FOR PRICING

**ISSDVVTK INSTAHEAT™ 5" Stainless Steel Vertical Termination Kit**

- Termination • Firestop • Storm collar • Roof horizontal support • Condensation drain pipe PLEASE CALL FOR PRICING



CTCV53 - Coaxial to Collinear adapter from SS to 3" PVC



7 1/4 to 10 supplied bracket for mounting or add 6 length  
ISSDVP6 vent length





## Mantis 90%+ Efficient Fireplaces

### Bay Window Package for Mantle

Comes with In/Out Vent Adapt. and Thermostat.

Model	Description
BF28-BM-LP	Mantis Bay Window Fireplace Package, Canada, Black Window Frame
BF28-BM-NG	Mantis Bay Window Fireplace Package, Canada, Black Window Frame
BP28-BM-KN	Mantis Bay Window Pedestal Package, Canada, Black Window Frame
BP28-BM-KP	Mantis Bay Window Pedestal Package, Canada, Black Window Frame



### Mantis Fireplace Package for Mantle In Wall

Comes with In/Out Vent Adapt. and 24v Thermostat.

Model	Description
FF28BMKN	Mantis Fireplace Package, Canada, Wall/Mantle
FF28BMKP	Mantis Fireplace Package, Canada, Wall/Mantle



### Mantis Accessories

Model	Description
PV4H	Top for front projection, 10-inch depth, (Bay-window, Insert/Mantle installs.)
PVSH	Mantis Back Shroud (6-inch) for Pedestal application. (To hide back.)

### Control Options

Model	Description
FRBTC	Battery Operated Remote Control with Thermostat
TRW	Wall Thermostat - Wireless Remote

### Mantis Fireplace Surround

(35 x 30, Louvers, Hood)

Model	Description
FWK28BL	Mantis Fireplace In-Wall Surround Kit, Matte Black



## Creating the Heat

(White, Black and Grey Arrows)

(A) The Power vent blower draws in outdoor air (White Arrow) via the PVC intake pipe

(B) Inside the fireplace the three-stage burner, below the log set, mixes the air and gas (LP or natural) and burns it to produce heat.

(C) The power vent blower extracts the hot combustion gases (up to 900°F) out of the combustion chamber and through the heat exchanger (Black Arrow).

**Circulating the Warmth** (Blue and Red Arrows)

(E) The circulation blower draws in room air (Blue Arrow) via louvers beneath the fireplace...

(F) ... and focuses it across the heat exchanger fins. This transfers more than 90% of the heat inside the tubes to the room air.

(G) The blower forces this warm air out through louvers above the fireplace to warm the home.

## Adding the Humidity

(H) Droplets of moisture, a by-product of the Mantis' super-efficient heat exchanger, are captured in a holding tank (not visible).

(I) Once the Mantis reaches operating temperature, a pump cycles on to send any collected water onto a stainless steel tray above the combustion chamber, where heat and airflow circulate the water vapor. This added humidity helps alleviate the static shocks, wood furniture damage, and even sore throats caused by dry winter air.





### “LRZ” LEGACY Millivolt Heaters

Item #	Description
LRZ125M (LP/NG)	LEGACY 125KBTU MILLIVOLT LP or NG
LRZ175M (LP/NG)	LEGACY 175KBTU MILLIVOLT LP or NG
LRZ250M (LP/NG)	LEGACY 250KBTU MILLIVOLT LP or NG
LRZ325M (LP/NG)	LEGACY 325KBTU MILLIVOLT LP or NG
LRZ400M (LP/NG)	LEGACY 400KBTU MILLIVOLT LP or NG



### “LRZ” LEGACY Electronic Heaters

Item #	Description
LRZ125E (LP/NG)	LEGACY 125KBTU DIGITAL LP or NG
LRZ175E (LP/NG)	LEGACY 175KBTU DIGITAL LP or NG
LRZ250E (LP/NG)	LEGACY 250KBTU DIGITAL LP or NG
LRZ325E (LP/NG)	LEGACY 325KBTU DIGITAL LP or NG
LRZ400E (LP/NG)	LEGACY 400KBTU DIGITAL LP or NG



\*High altitude LRZ models available at no extra cost, please specify by adding an “H” at the end of part #.

### “HI-E2” Series Sealed Combustion 95% Efficiency (Vents with 4 or 5” PVC)

Item #	Description
EHE350C-(LP/NG)	HI-E2 SERIES 350KBTU HSI COMM. W/ASME



### “LXi” Series Fan Assisted Venting

Item #	Description
LXI250 (LP/NG)	250KBTU DIGITAL, LOW NOX, FAN ASSISTED
LXI300 (LP/NG)	DISCONTINUED
LXI400 (LP/NG)	400KBTU DIGITAL, LOW NOX, FAN ASSISTED

\*Ideal for indoor side wall vent applications.





### Draft Hood for "LRZ" (Indoor installs)

Item #	Description
R0499601	Draft Hood For "LRZ" 125
R0499602	Draft Hood For "LRZ" 175
R0499603	Draft Hood For "LRZ" 250
R0499604	Draft Hood For "LRZ" 325
R0499605	Draft Hood For "LRZ" 400



### Optional Vent Cap for "LRZ" (Outdoor installs)

Item #	Description
R0491601	Vent Cap For "LRZ" 125
R0491602	Vent Cap For "LRZ" 175
R0491603	Vent Cap For "LRZ" 250
R0491604	Vent Cap For "LRZ" 325
R0491605	Vent Cap For "LRZ" 400



### LXi Sidewall Vent Kit (category III) Horizontal/From Rear

Item #	Description
R0467301	Vent Adaptor Kit 5" For "LXi" 250 and LXi300
R0484405	Vent Accessory Kit 5" For "LXi" 250 and LXi300
R0467302	Vent Adaptor Kit 5" For "LXi" 300
R0484405	Vent Accessory Kit 5" For "LXi" 300



### LXi Sidewall Vent Kit (category III) Horizontal/From Top

Item #	Description
R0484301	Vent Kit 6" For "LXi" 250
R0484406	Vent Accessory Kit 6" For "LXi" 250
R0484302	Vent Adaptor Kit 7" For "LXi" 300
R0484407	Vent Accessory Kit 7" For "LXi" 300
R0484303	Vent Adaptor Kit 8" For "LXi" 400
R0484408	Vent Accessory Kit 8" For "LXi" 400





**\* Please note that we stock all heater parts & accessories, call our customer service for a complete listing.**

### Gas Valves

Item #	Description
R0493200	Gas Valve Propane For All "LRZ" Millivolt
R0493100	Gas Valve NG For All "LRZ" Millivolt
R0494600	Gas Valve Propane For All "LRZ" Electronic
R0494500	Gas Valve NG For All "LRZ" Electronic
R0319600	Gas Valve Propane For All "LD" & "L J"
R0317100	Gas Valve NG For All "LD" & "L J"
R0096900	Gas Valve Propane For All "LG"
R0096400	Gas Valve NG For All "LG"
R0336900	Gas Valve Propane For All "LX/LT"
R0336800	Gas Valve NG For All "LX/LT"



### Pressure Switches

Item #	Description
R0013200	Pressure Switch 2psi For All Models
R0015500	Pressure Switch 1-10psi For All Models



### Pressure Relief Valves

Item #	Description
R0336100	Relief Valve 75psi For All Polymer: LRZ-LX-LT
R0040400	Relief Valve 75psi For All Bronze: LD-LG-L J-HiE2



### Never Lube Positive Seal Valves

Item #	Description
4715	Positive Seal Valve CPVC, 1-1/2" - 2", 3-Port
4716	Positive Seal Valve CPVC, 2" - 2-1/2", 2-Port
4717	Positive Seal Valve CPVC, 2" - 2-1/2", 3-Port
4724	Positive Seal Valve CPVC, 1-1/2" - 2", 2-Port

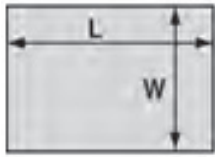




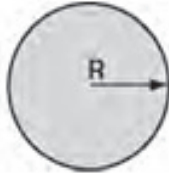
## HEATER SELECTION GUIDE

### POOL SIZING

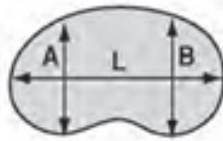
Determine your pool's surface area in square feet.



Area = L x W



Area = R x R x 3.14



Area = (A + B) x L x .45

Determine the temperature difference the heater will maintain. In the table below, locate the surface area equal to or slightly greater than the pool's surface area in the selected temperature difference row. The minimum heater size is indicated at the top of the column. Tables are based on a 3½ MPH wind velocity and elevation of up to 2,000 feet above sea level.

### HEATER SIZING CHART

#### POOL HEATER

Temp Diff*	125		175		250		325		400	
	Maximum Area Heater (width x length)									
	0 Wind	3 ½ MPH	0 Wind	3 ½ MPH	0 Wind	3 ½ MPH	0 Wind	3 ½ MPH	0 Wind	3 ½ MPH
15°F	875	675	1250	925	1775	1325	2300	1725	2850	2125
20°F	675	500	925	700	1325	1000	1725	1300	2125	1600
25°F	525	400	750	550	1075	800	1400	1050	1700	1300
30°F	450	325	625	475	900	700	1250	875	1425	1075
35°F	400	300	550	400	775	575	1000	750	1225	900

#### SPA HEATER

Model	125	175	250	325	400
Spa Size	Time Required to Raise Temp 30°				
200 Gallons	30 Minutes	25 Minutes	20 Minutes	15 Minutes	10 Minutes
400 Gallons	60 Minutes	45 Minutes	30 Minutes	25 Minutes	20 Minutes
600 Gallons	90 Minutes	65 Minutes	45 Minutes	35 Minutes	30 Minutes
800 Gallons	120 Minutes	90 Minutes	60 Minutes	50 Minutes	40 Minutes
1000 Gallons	150 Minutes	110 Minutes	75 Minutes	60 Minutes	50 Minutes

#### SPA SIZING

Determine your spa capacity in U.S. gallons (surface area x average depth x 7½).
The reference tables list the time required in minutes to raise the temperature of the spa/hot tub by 30°F. In the table below, locate the spa/ hot tub size in U.S. gallons. Select the desired time to raise the spa/hot tub temperature 30°F, read to the left and select the appropriate heater.
This guide can be adjusted for other temperature rises. For example, if you desire a 15°F increase in temperature, simply divide the time for 30°F rise by the 15°F increase (30/15=2).
Note: Heat losses and/or heat absorbed by spa walls or other objects will add to heat-up time.
Spa sizing is based on an insulated and covered spa. Always cover your spa or hot tub when not in use to minimize heat loss and evaporation.





### Blue Monster Industrial Grade Thread Sealant with PTFE

Formulated for extra lubrication on metal pipe threads, BLUE MONSTER Industrial Grade Thread Sealant with PTFE is a slow-drying, soft-setting, non-hardening pipe thread compound. BLUE MONSTER has a high bulk density, which means there are more solids in the formulation.

Recommended for on-site or assembly line work. It is lead-free, non-toxic and will not harden or separate in the can.

#76001	¼ pint/4 oz Can w/ Brush top 24 pk.
#76003	½ pint/8oz Can w/ Brush top 24 pk
#76005	1 pint/16 oz Can w/ Brush top 12 pk



### Blue Monster PTFE Thread Seal Tape

Professional Grade Rugged, general purpose tape in a monstrous 1429"roll!

Specifications: Seals fittings at pressures up to 10,000 psi.

Temperature Range: -450°F to +500 °F (-268 °C to +260 °C)

- Seals threads effectively in more applications
- Acts as a thread lubricant and anti-seize
- Effective across a broad range of temperatures and pressures
- Easier to use—no waste! Will not harden or crack

#70885	(1/2" x 1429" rolls)
	45 Pack Counter Display



### Just 3 Wraps is All You Need for Leak-Proof Joints

Description: Mill-Rose 3-Wrap Yellow Gas Seal Tape is a PTFE thread sealing tape designed specifically for gas lines.

#70820	(1/2"x260" gas tape)
	40 Pack Counter Display



#77095	(10" x 12" Towels) 75 Count 20 pk.
--------	------------------------------------



### Aluminum Oxide Open Mesh Abrasive

#70151	(2"x8" 10 mini strips) 10pk
#70152	(2"x5 yard roll) 24 pk
#70154	(2" x 10 yard roll) 24 pk
#70156	(2" x 25 yard roll) 24 pk



### Ultra-Flex Abrasive Cloth

#70171	(10 mini strips) 10pk
#70172	(5 yard roll) 24 pk
#70174	(10 yard roll) 24 pk
#70176	(25 yard roll) 24 pk



### Blue Monster Six-In-One Brush

Blue Monster Six-in-One Brush cleans the inside diameter of ½" and ¾" fittings and outside diameter of ½" and ¾" tubing. The deburring plate reams and deburs the I.D. of tubing, has a b-tank gas key (square opening on plate), and also serves as a bottle opener.

#70255	(6 in 1 brush) 10 pk. Display Box
--------	-----------------------------------







**Low Pressure Gas Plug (Most Popular Items)**



PVC BBQ Box, low pressure, surface mount, 3/8 Quick Disconnect Outlet, 60 mbtu NG/90 mbtu LP. Available in Gray or White with 3/8" or 1/2" FNPT Inlet.

Box Dimensions: 4 1/2" x 5 1/4" x 2 1/2"

**Item #**

- G0101-5G BBQ Box, Low Pressure, Grey, 3/8" NPT x QD
- G0101-5W BBQ Box, Low Pressure, White, 3/8" NPT x QD
- G0101-50G BBQ Box, Rear/Bottom, 1/2" NPT x 3/8" QD
- G0101-50G BBQ Box, Bottom Only, 1/2" NPT x 3/8" QD
- G0101-50W BBQ Box, Rear/Bottom, 1/2" NPT x 3/8" QD
- G0101-50W-120DC BBQ Box, Bottom Only, 1/2" NPT x 3/8" QD



**Stainless Steel Gas Plug, low pressure, surface mount** 3/8 Quick Disconnect Outlet, 60 mbtu NG/90 mbtu LP. Available with 3/8" or 1/2" FNPT Inlet.

Box Dimensions: 5 1/4" x 7" x 2 3/8"

**Item #**

- G0101-SS (3/8" inlet)\*\*
- G0101-SS-50 (1/2" inlet)\*
- G0101-DM-SS-38 BBQ Box, Deck Mount, Stainless Steel, 1/2" NPT x 3/8" QD

\*Please add \$3.00 list for 1/2" inlet boxes.

\*\*Most popular model (In stock)



**Recessed Gas Plug, low pressure 3/8 Quick Disconnect Outlet, 60 mbtu NG/90 mbtu LP**

1/2" FNPT Inlet and lockable door.

Box dimensions: 3 1/2" x 5 1/2" x 3 1/2"

Perfect for new construction projects!

**Item #:** GR0101-SS-50



**10 ft. BBQ Hose**

3/8" x 10' Black Rubber Hose  
c/w 3/8" flare swivel on one end and 3/8" male iron pipe end at other end

**Item #:** 28120-6

\*Other lengths are available, please call.





### 2 PSI Gas Plug (Most popular Items)

PVC NG BBQ Box. 2psi inlet pressure, surface mount, 3/8 Quick Disconnect Outlet, 60mbtu NG. Available in Gray or White with 3/8" FNPT inlet.

Box Dimensions: 4 1/2" x 5 3/4" x 2 1/2"

Item #: G0101-2#5G (2psi, Gray)\*\*  
G0101-2#5W (2psi, White)

\*\*Most popular model (in stock)



### Stainless Steel NG Gas Plug

2psi inlet pressure, surface mount, 3/8 quick disconnect outlet, 60 mbtu NG with 3/8" FNPT Inlet.

Box dimensions: 5 1/4" x 7" x 2 3/8"

Item #: G0101-2#SS (3/8" FNPT Inlet)  
G0101-2#SS-50 (1/2" FNPT Inlet)



### Stainless Steel NG Gas Plug

2psi inlet pressure, surface mount, 2 x3/8 Quick disconnect outlets, 120 mbtu NG (60 mbtu each side) With 1/2" FNPT 90deg. Back inlet.

Box dimensions: 5 1/4" x 7" x 2 3/8"

Item #: G0101-2#DBL-SS (2psi, double outlets)

\*Please call for higher qty. orders





**Other BBQ Boxes and Quick Disconnects**

Stainless Steel BBQ Box, low pressure, surface mount. 1/2" or 3/4" Quick disconnect outlet, 1/2" and 3/4" FNPT inlet.

Box dimensions: 5 1/4" x 7" 2 3/8"

Item #:  
 BBQ-SS-50 (1/2" 90mbtu NG/138mbtu LP)  
 BBQ-SS-75 (3/4" 245mbtu NG/375mbtu LP)

\*To be used when higher btu's are required

\*Please call for qty. orders



**Double Gas Plug, low pressure, surface mount.**

2 x 3/8 Quick disconnect outlets, 120mbtu NG (60mbtu each side) with 1/2" FNPT 90deg. back inlet.

Box dimensions: 5 1/4" x 7" x 2 3/8"

Item #: G0101-DBL-SS (Low pressure, double outlets)

\*Please call for qty. orders

**Quick Disconnects**

Male Plug and Female Socket (must order individually)

\*Please call for quantity pricing.



Socket Item#
100-006 (3/8" Socket, 60 mbtu NG/95mbtu LP)
100-008 (1/2" Socket, 90mbtu NG/138mbtu LP)
100-010 (3/4" Socket 245mbtu NG/375mbtu LP)
100-012 (1" Socket, 310mbtu NG/480mbtu LP)
GMS-1250-FH (1-1/4" Socket, 500mbtu/775mbtu)

Plug Item#
100-506 (3/8" Plug)
100-508 (1/2" Plug)
100-510 (3/4" Plug)
100-512 (1" Plug)
GMP-1250-F (1-1/4" Plug)





### Perfection Anodeless Permasert Risers



Item #	Description
77253	1/2" CTS x 1/2"NPT. 30"H x 25"L
77181	1/2" CTS x 3/4"NPT. 30"H x 25"L
77120	1" CTS x 3/4"NPT. 30"H x 25"L
79354	3/4" CTS x 3/4"NPT. 30"H x 26"L
79350	1" CTS x 1" NPT. 30"H x 26"L
75901	1-1/4"CTS x 1-1/4"NPT. 30"H x 25"L
75906	2" IPS x 2"NPT. 32"H x 12"L

### Perfection Anodeless Servi-Sert All Flex Risers

Swivel Connector Union



Item #	Description
71354	36" Flex Riser 1/2" CTS x 1/2" NPT
71353	84" Flex Riser 1/2" CTS x 1/2" NPT
71356	36" Flex Riser 1/2" CTS x 3/4" NPT
71355	84" Flex Riser 1/2" CTS x 3/4" NPT
71412	84" Flex Riser 3/4" IPS x 3/4" NPT
71511	36" Flex Riser 1" CTS x 3/4" NPT
71510	84" Flex Riser 1" CTS x 3/4" NPT
71410	36" Flex Riser 3/4" IPS x 3/4" NPT

### Polyethylene Tubing & Piping



Item #	Description
PE2406-12CTS	1/2" CTS PE TUBING 500'
PE2406-34IPS	3/4" IPS PE TUBING 500'
PE2406-100CTS	1" CTS PE TUBING 500'
PE2406-100IPS	1" IPS PE TUBING 500'
PE2406-114IPS	1 1/4" IPS PE TUBING 500'
PE2406-200IPS	2" IPS PE TUBING 500'
PE2406-400IPS	4" IPS PE TUBING 40' LENGTHS





### Permasert Mechanical Couplings



Item #	Description
50100	1/2" CTS Coupling
50701	1/2" IPS Coupling
50030	3/4" IPS Coupling
50103	1" CTS Coupling
50601	1" IPS Coupling
50035010	1-1/4" IPS Coupling
50314	2" IPS Coupling

### Permasert Reducing Couplings



Item #	Description
50149	1/2" CTS x 1" CTS
50969	1/2" CTS x 3/4" IPS
50641	1/2" CTS x 1" IPS
50192	1" CTS x 1-1/4" IPS
51432	3/4" IPS x 1" IPS
50195010	3/4" IPS x 1-1/4" IPS
50343010	1" IPS x 1-1/4" IPS
50333	2" IPS x 1/4" IPS
50627	1" IPS x 2" IPS
50333010	1-1/4" IPS x 2" IPS

### Permasert Repair Couplings



Item #	Description
50056	1/2" CTS 12"L
50175	3/4" IPS 12" L
50172	1" CTS 12"L
50640	1" IPS 13" L
50320100	1-1/4" 13"L

### Permasert 3-Way Tees



Item #	Description
50199	1/2" CTS
50929	3/4" IPS
50292	1" CTS
50634	1" IPS
50327010	1-1/4"
50316	2" IPS





### Permasert 3-Way Reducing Tees



Item #	Description
51335	1/2" CTS x 1/2" CTS x 1" CTS
50461	3/4" IPS x 3/4" IPS X 1/2" CTS
50451	1" CTS x 1" CTS x 1/2" CTS
50632	1" IPS x 1" IPS x 1/2" CTS
50635	1" IPS x 1" IPS x 3/4" IPS
50992	1-1/4" IPS x 1-1/4" IPS x 3/4" IPS
50557	1-1/4" IPS x 1-1/4" IPS x 1" IPS
50328100	1-1/4" IPS x 1-1/4" IPS x 3/4" CTS
50348100	2" IPS x 2" IPS x 1" CTS
51283	2" IPS x 2" IPS x 1" IPS
51323100	2" IPS x 2" IPS x 1-1/4" IPS
51298	2" IPS x 2" IPS x 3/4" IPS
51325	1 1/4" IPS x 1 1/4" IPS x 3/4" IPS

### Permalock Tapping Tees



Item #	Description
54201	1-1/4" IPS x 1/2" CTS
54251	1-1/4" IPS x 1" CTS
55702	2" IPS x 1/2" CTS
55901	2" IPS x 3/4" CTS
55802	2" IPS x 1" CTS
55951	2" IPS x 1" IPS
55982	2" IPS x 1- 1/4" IPS
55990	2" IPS x 2" IPS
55716	4" IPS x 1/2" CTS
55902	4" IPS x 3/4" IPS
55811	4" IPS x 1" CTS
55953	4" IPS x 1" IPS
55986	4" IPS x 1-1/4" IPS
55992	4" IPS x 2" IPS

### Permasert Elbows



Item #	Description
50294	1/2" CTS
51620	3/4" IPS
51333	1" CTS
50636	1" IPS
50325010	1-1/4"
50315	2" IPS



**Permasert Blind End Stubs**  
Stub: One end functional



Item #	Description
50015	1/2" CTS
50809	3/4" IPS
50048	1" CTS
50024100	1-1/4"
51770	2" IPS

**Permasert Blind End Stubs**  
Stub: Two ends functional



Item #	Description
50016	1/2" CTS
50026	3/4" IPS
50045	1" CTS
50033	1-1/4"
50317	2" IPS

**Metallic Warning/Tracer Tape**



Item #	Description
GT-3	1000ft. x 2" roll Metallic Tracer Tape

**Metal Supports and Brackets**



Item #	Description
74440	Universal Brkt. fits from 3/4" thru 2"
74506	Foundation Brkt. 3/4 to 2" (4")
74500	Foundation Brkt. 3/4 to 2" (6")
74491	Foundation Brkt. 3/4 to 2" (9")





**Chamfering Tool**



Item #	Description
51016	1/2" CTS & 3/4" IPS
51004	1/2" CTS & 1" CTS
51008	3/4" IPS & 1" IPS
51028	1-1/4" IPS
51040	2" IPS

**Snippers for PE Pipe**



Item #	Description
55225	Snipper up to 1-1/4"
55227	Snipper up to 2"





**BRAND INDEX**

**BELGAS**

First Stage Regulators 1.2.1  
Relief Valves 1.2.1

**BLUE MONSTER**

Abrasive, Aluminum Oxide Open Mesh 3.1.1  
Industrial Grade Thread Sealant with PTFE 3.1.1  
PTFE Thread Seal Tape 3.1.1  
Six-in-One Brush 3.1.1  
Towels 3.1.1  
Abrasive Cloth, Ultra Flex 3.1.1

**BRYAN DONKIN**

10 PSI Maximum Inlet Pressure  
Ventless "Slam-Shut" Type Regulators 1.3.1  
1.3.1

**BURNABY**

2 PSI BBQ Boxes  
PVC NG 3.2.2  
Stainless Steel NG  
Stainless Steel NG w/ 2 x 3/8 Disconnect Outlets  
Low Pressure BBQ Boxes  
PVC 3.2.1  
Stainless Steel  
Recessed Rough-In Stainless Steel  
Quick Disconnects  
Stainless Steel BBQ Boxes 3.2.3  
1/2" or 3/4" Quick Disconnect and FNPT Inlet 3.2.3  
2 x 3/8" Quick Disconnect

**ELSTER/PERFECTION**

Chamfering Tool 3.3.5  
Metallic Warning/Tracer Tape 3.3.4  
Metal Supports and Brackets 3.3.4  
Perfection Anodeless Permanent Risers 3.3.1  
Perfection Anodeless Servi-Sert All Flex Risers 3.3.1  
Permalock Tapping Tees 3.3.3  
Permasert 3-Way Tees 3.3.2  
Permasert 3-Way Reducing Tees 3.3.3  
Permasert Blind End Stubs 3.3.4  
Permasert Blind End Stubs with 2 Ends 3.3.4  
Permasert Elbows 3.3.3  
Permasert Mechanical Couplings 3.3.2  
Permasert Reducing Couplings 3.3.2  
Permasert Repair Couplings 3.3.2  
Polyethylene Tubing and Piping 3.3.1  
Snippers for PE Pipe 3.3.5

**EMPIRE**

Direct-Vent Counterflow Wall Furnaces 2.1.3  
Direct-Vent Wall Furnaces, High Efficiency 2.1.2  
Direct Wall Vent Furnaces Millivolt 2.1.1  
Gravity Vented Counterflow Wall Furnaces 2.1.3  
Gravity Vented Room Heaters 2.1.4  
Gravity Vented Wall Furnaces 2.1.2  
Visual Flame and Closed Front Room Heaters 2.1.4

**FIREFIGHTER**

Earthquake Valves:  
Horizontal, Vertical, 90 Degree, Stabilizer Brackets 1.4.1

**INSTAHEAT**

Demand Energy 2.2.1  
Tankless Water Heaters Non-Condensing  
Tankless Water Heaters Condensing  
Venting Accessories  
Indoor Tankless Water Heater Product Specifications 2.2.2

**ITRON**

Dattus Meters 1.5.2  
Diaphragm Meters 1.5.2  
Direct Acting Regulators 1.5.1  
Field Service Regulators 1.5.1  
Pilot Operated Regulators 1.5.1  
Programming 1.5.2  
Pulse Out-Put 1.5.2  
Spring Loaded Regulators 1.5.1

**MANTIS**

Accessories 2.3.1  
Bay Window Package for Mantle 2.3.1  
Control Options 2.3.1  
Fireplace Surround 2.3.1  
In-Wall Louverless Surround 2.3.1  
Mantis Fireplace Package for In-Wall 2.3.1  
Mantis Fireplace Package for Mantle 2.3.1  
Creating the Heat Diagram 2.3.2

**OARA**

Ventless Regulators Type 90 and 95 1.6.1

**PERFECTION/ELSTER**

Chamfering Tool 3.3.5  
Metallic Warning/Tracer Tape 3.3.4  
Metal Supports and Brackets 3.3.4  
Perfection Anodeless Permanent Risers 3.3.1  
Perfection Anodeless Servi-Sert All Flex Risers 3.3.1  
Permalock Tapping Tees 3.3.3  
Permasert 3-Way Tees 3.3.2  
Permasert 3-Way Reducing Tees 3.3.3  
Permasert Blind End Stubs 3.3.4  
Permasert Blind End Stubs with 2 Ends 3.3.4  
Permasert Elbows 3.3.3  
Permasert Mechanical Couplings 3.3.2  
Permasert Reducing Couplings 3.3.2  
Permasert Repair Couplings 3.3.2  
Polyethylene Tubing and Piping 3.3.1  
Snippers for PE Pipe 3.3.5

**PIETRO FIORENTINI**

5 PSI Inlet Pressure Regulator 1.7.1  
(Dual Cut Version) Ventless Monitor 1.7.1  
Governor Ventless Gas Regulators 1.7.1  
High Capacity 1.7.1

**VENTED & VENTLESS REGULATOR SIZING CHART**

Itron, OARA, Pietro Fiorentini 1.1.1

**ZODIAC**

Draft Hood and Vent Caps for "LRZ" 2.4.2  
Gas Valves 2.4.3  
Heater Selection Guide 2.4.4  
"HI-E2" Series Sealed Combo 95" eff. 2.4.1  
"LRZE" LEGACY electronic heaters 2.4.1  
"LRZM" LEGACY millivolt heaters 2.4.1  
"LXi" Series Fan Assisted Venting 2.4.1  
"LXi" Sidewall Vent Kits 2.4.2  
Never Lube Positive Seal Valves 2.4.3  
Parts & Accessories 2.4.1  
Pressure Switches 2.4.3  
Pressure Relief Valves 2.4.3



**PRODUCT INDEX**

**ABRASIVE SANDPAPER**

Aluminum Oxide Open Mesh Abrasive 3.1.1  
Ultra-Flex Abrasive Cloth 3.1.1

**BBQ BOXES**

2 PSI BBQ Boxes 3.2.3  
PVC NG  
Stainless Steel NG  
Stainless Steel NG w/ 2 x 3/8 Disconnect Outlets  
Low Pressure BBQ Boxes 3.2.2  
PVC  
Stainless Steel  
Recessed Rough-In Stainless Steel  
Quick Disconnects 3.2.4  
Stainless Steel BBQ Boxes 3.2.4  
1/2" or 3/4" Quick Disconnect and FNPT Inlet  
2 x 3/8" Quick Disconnect

**BRUSHES**

Six-in-One Brush 3.1.1

**FIREPLACES**

Accessories 2.3.1  
Bay Window Package for Mantle 2.3.1  
Control Options 2.3.1  
Fireplace Surround 2.3.1  
In-Wall Louverless Surround 2.3.1  
Mantis Fireplace Package for In-Wall 2.3.1  
Mantis Fireplace Package for Mantle 2.3.1

**FURNACES**

Direct-Vent Counterflow Wall Furnaces 2.1.3  
Direct-Vent Wall Furnaces, High Efficiency 2.1.2  
Direct Wall Vent Furnaces Millivolt 2.1.1  
Gravity Vented Counterflow Wall Furnaces 2.1.3  
Gravity Vented Room Heaters 2.1.4  
Gravity Vented Wall Furnaces 2.1.2  
Visual Flame and Closed Front Room Heaters 2.1.4

**GAS LINE & FITTINGS**

Chamfering Tool 3.3.5  
Metal Supports and Brackets 3.3.4  
Perfection Anodeless Permanent Risers 3.3.1  
Perfection Anodeless Servi-Sert All Flex Risers 3.3.1  
Permalock Tapping Tees 3.3.3  
Permasert 3-Way Tees 3.3.2  
Permasert 3-Way Reducing Tees 3.3.3  
Permasert Blind End Stubs 3.3.4  
Permasert Blind End Stubs with 2 Ends 3.3.4  
Permasert Elbows 3.3.3  
Permasert Mechanical Couplings 3.3.2  
Permasert Reducing Couplings 3.3.2  
Permasert Repair Couplings 3.3.2  
Polyethylene Tubing and Piping 3.3.1  
Snippers for PE Pipe 3.3.5

**HEATERS, POOL**

Pool – "LRZE" LEGACY electronic heaters 2.4.1  
Pool – "LRZM" LEGACY millivolt heaters 2.4.1  
Pool – "HI-E2" Series Sealed Combo 95" eff. 2.4.1  
Pool – "LXi" Series Fan Assisted Venting 2.4.1

**METERS**

Dattus Meters 1.5.2  
Diaphragm Meters 1.5.2  
Programming 1.5.2  
Pulse Out-Put 1.5.2

**REGULATORS**

First Stage High Capacity 1.2.1  
Ventless "Slam-Shut" Type Regulators 1.3.1  
Direct Acting 1.5.1  
Feild Service 1.5.1  
Pilot Operated 1.5.1  
Spring Loaded 1.5.1  
Ventless Regulators Type 90 and 95 1.6.1  
Governor Ventless Gas Regulators 1.7.1  
5 PSI Inlet Pressure Ventless Monitor Regulator, 5 PSI 1.7.1  
High Capacity Governor Ventless Gas Regulators, High Capacity 1.7.1

**THREAD TAPE**

Just 3 Wraps 3.1.1  
PTFE Thread Seal Tape 3.1.1

**THREAD SEALANT**

Industrial Grade Thread Sealant with PTFE 3.1.1

**TOWELS**

Blue Monster Towels 3.1.1

**TRACER TAPE**

Metallic Warning/Tracer Tape 3.3.4

**VALVES**

Relief Valves 1.2.1  
Pressure Relief Valves, Zodiac/Jandy 2.4.3  
Earthquake Valves: 1.4.1  
Horizontal, Vertical, 90 Degree, Stabilizer Brackets  
Gas Valves, Zodaic/Jandy 2.4.3  
Never Lube Positive Seal Valves 2.4.3

**VENTING/HOODS**

Draft Hood for "LRZ" 2.4.2  
LXi Sidewall Vent Kits 2.4.2  
Optical Vent Cap for "LRZ" 2.4.2  
Pressure Switches 2.4.2

**VENTED & VENTLESS REGULATOR SIZING CHART**

OARA 1.1.1  
Pietro Fiorentini 1.1.1  
Itron 1.1.1

**WATER HEATERS**

Tankless Water Heaters Non-Condensing 2.2.1  
Tankless Water Heaters Condensing 2.2.1  
Venting Accessories 2.2.1  
Indoor Tankless Water Heater Product Specifications 2.2.2

